

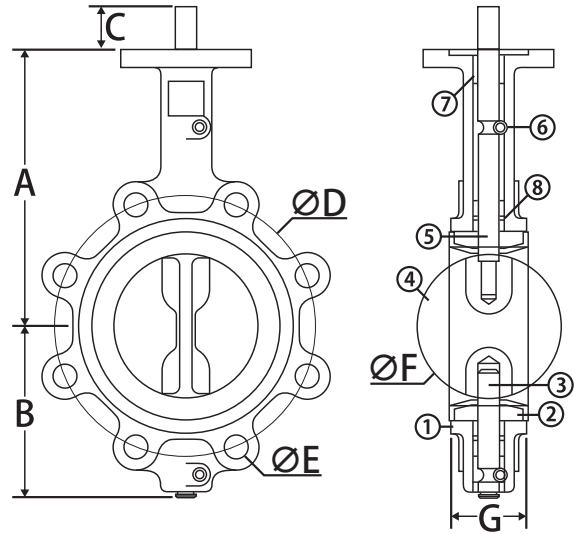


# Butterfly Valve

## Lug Style • Epoxy-Coated Ductile Iron Body



CRN# 0C09891.2



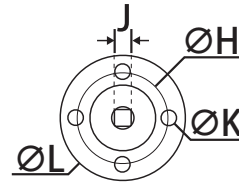
### Features

- Designed for commercial and industrial applications up to 225 PSI. Easily accepts actuator with ISO 5211 mounting flange
- Available in EPDM, PTFE, Buna, or Viton seats
- Meets API 609 & MSS SP-67
- Seat to flange seal eliminates the need for flange gaskets
- Series 600 Lug bodies are bidirectional for dead end service
- With downstream flange, pressure ratings are 2" - 12" = 175PSI, 14" - 24" = 150PSI
- With no downstream flange, bidirectional, dead end service rating are 2" - 12" = 75PSI, 14" - 24" = 50PSI
- Epoxy coated finish
- Ideal for mounting pneumatic/electrical actuators
- Square stem for direct mount

### Material Specifications

No.	Part	Materials
1	Body	Ductile Iron - Epoxy Coated
2	Seat	*Varies*
3	Lower Shaft*	410 Stainless Steel
4	Disc	CF8M Stainless Steel
5	Upper Shaft	410 Stainless Steel
6	Locating Pin (2)	Carbon Steel
7	Bushing (3)	PTFE
8	O-ring (2)	EPDM

Note: 2" - 12" Only, 14" - 36" are pin through shaft style



### Seat Temperature Ranges

Material	Temp °F	Temp °C
Buna-N (NBR)	+10 to 180	-12 to 82
EPDM	-30 to 250	-35 to 121
Viton	+10 to 275	-12 to 135
PTFE over EPDM	-20 to 250	-29 to 121
Buna-N, Food Grade	+10 to 180	-12 to 82
EPDM, Food Grade	-30 to 225	-35 to 107
EPDM, Heat-Resistant	+3 to 300	-2 to 150
Viton, High Temp	+10 to 400	-12 to 204
Neoprene	+20 to 200	
Hypalon	0 to 275	-18 to 135
Silicon	-70 to 425	-57 to 218
Pure PTFE	-100 to 400	-74 to 204

When ordering butterfly valves please specify the seat in the \_ space with the following letter designations.

E = EPDM P = PTFE V = VITON B = BUNA

### Dimensions

Part No.	Size	A	B	C	D	E	F	G	H	J	K	L	Weight
600-02DS_L	2"	6.34	3.15	1.26	4.74	4 : 5/8"	2.07	1.65	1.97	0.35	4 : 0.28	3.03	8.38
600-0212DS_L	2-1/2"	6.89	3.50	1.26	5.10	4 : 5/8"	2.54	1.76	1.97	0.35	4 : 0.28	3.03	9.26
600-03DS_L	3"	7.13	3.74	1.26	6.00	4 : 5/8"	3.10	1.78	1.97	0.35	4 : 0.28	3.03	10.36
600-04DS_L	4"	7.87	4.49	1.26	7.50	8 : 5/8"	4.09	2.05	2.76	0.43	4 : 0.35	3.54	19.84
600-05DS_L	5"	8.39	5.00	1.26	8.50	8 : 3/4"	4.85	2.14	2.76	0.55	4 : 0.35	3.54	24.03
600-06DS_L	6"	8.90	5.47	1.26	9.51	8 : 3/4"	6.13	2.20	2.76	0.55	4 : 0.35	3.54	31.31
600-08DS_B	8"	10.24	6.89	1.61	11.75	8 : 3/4"	7.97	2.39	4.02	0.67	4 : 0.47	4.92	40.12
600-010DS_B	10"	11.50	7.99	1.61	14.25	12 : 7/8"	9.86	2.58	4.02	0.87	4 : 0.47	4.92	59.08
600-012DS_B	12"	13.27	9.53	1.61	17.01	12 : 7/8"	11.87	3.03	4.02	0.87	4 : 0.47	5.51	88.18
600-014DS_B	14"	14.49	10.55	1.77	18.74	12 : 1"	13.12	3.01	4.02	0.87	4 : 0.47	5.51	123.46
600-016DS_B	16"	15.75	12.17	2.02	21.26	16 : 1"	15.34	3.41	5.51	0.94	4 : 0.71	7.76	211.64
600-018DS_B	18"	16.54	12.91	2.02	22.76	16 : 1-1/8"	17.34	4.16	5.51	1.06	4 : 0.71	7.76	268.96
600-020DS_B	20"	18.90	14.21	2.53	25.00	20 : 1-1/8"	19.35	5.19	5.51	1.42	4 : 0.71	7.76	445.33
600-024DS_B	24"	22.13	18.07	2.76	29.51	20 : 1-1/4"	23.33	5.98	6.50	1.42	4 : 0.91	10.87	595.25
600-030DS_B*	30"	25.98	21.22				29.30	6.50					939.17
600-036DS_B*	36"	28.35	25.83				34.04	7.99					1604.96

\*U-type Butterfly Valve, dimensions and drawings available upon request.